

Portable Power Monitor ZN-CTX/-CTM

CSM_ZN-CTX_-CTM_DS_E_3_7

Easy and Quick “Checking Power” at the Worksite

- Display and record power consumption without stopping the power supply.
- Battery driven, mounted with a magnet, and super thin.
- Easy installation with only a CT to install.
- Special PC Software Multi Data Viewer Light* available easily graph total power consumption.

* Download the PC Software Multi Data Viewer Light from the following OMRON website (<http://www.fa.omron.co.jp/multi-d-v-e>).




 Refer to the *Safety Precautions* on page 3.








Ordering Information

Portable Power Monitor

Logging unit

Appearance	Product name	Model	Power supply
	Logging unit	ZN-CTX21-A	Battery/DC cable

Dedicated CT unit (Branch type)

Appearance	Product name	Model
	Branch cable (cable length 1.3 m)	ZN-CTM11-C
	Split type CT Connector: For connecting the branch cable Cable length: 0.2 m	ZN-CTM11-5A
		ZN-CTM11-50A
		ZN-CTM11-100A
		ZN-CTM11-200A
		ZN-CTM11-400A
	Clamp type CT Connector: For connecting the branch cable Cable length: 0.2 m	ZN-CTM51-200A





Guideline for selecting dedicated CT unit

Applicable circuits	Model	Branch cable ZN-CTM11-C	CT exclusive for branch type ZN-CTM□-□A*
Single-phase 2-wire		1	1
Single-phase 3-wire		1	2
Three-phase 3-wire		1	2
Three-phase 4-wire		1	3

(Necessary quantity is indicated in the table)

* You can connect up to three Branch-type CT Units to the Branch Cable. Be sure, however, not to connect a CT of different rated current. Correct measurement will be blocked.

Optional

Appearance	Product name	Model
	Mounting magnet	ZN9-EM01-S
	DC cable Connector: Straight type Cable length: 2 m (A set is attached to Model ZN-CTX21-A.)	ZN9-ED01-S
	DC cable Connector: Right angle type Cable length: 2 m	ZN9-ED02-S
	Environmental Visualization Software *1*2 Wave Inspire ES *3	ZN-SW11-S

- *1. This software has the following merits.
 - Real-time monitoring of waveforms is available.
 - Monitoring is synchronized with temperature/humidity sensors and other environmental sensor series units
 - Data is displayed on layout drawings.
- *2. Operating environment/OS: Microsoft Windows 7 (32 bit/64 bit)/ Microsoft Windows 10 (32 bit/64 bit)
CPU: Intel convertible processor 1 GHz minimum
Memory: 1 GB minimum (2 GB or greater is recommended)
- *3. Supportable version is Ver. 2.2.1 or later.

Ratings and Specifications

Logging unit (rating)

Item	Model	ZN-CTX21-A
Connectable sensor		ZN-CTM□1-□A
Display		7-seg. 5-digit 2-step LCD display, auxiliary information indicator displays
Recording Interval		1 s, 2 s, 5 s, 10 s, 20 s, 30 s, 1 min. *1
Calculation functions *2		Momentary power, Integrated power consumption
Measurement Mode		Normal mode, Sleep mode *3, High-speed logging mode *4
Recording Mode		Continue mode *5, Ring mode *6
External Output		Alarm output (Photocoupler output) *7
Internal storage device		Internal memory: approx. 6500 data items
External storage device		SD card (measured value and converted value saving/set value saving and reading), Recommended SD card: HMC-SD292 (2 GB) and HMC-SD492 (4 GB) (manufactured by OMRON) *8
Power Supply		DC input: 24 VDC ±10%; Batteries: Two AAA batteries *9
Current Consumption		80 mA max.
Battery Life *10		Approx. 1 week *11
Operating Temperature		Battery Supply: -10°C to 60°C (no condensation or icing)
Operating Humidity		20% to 85% (no condensation or icing)
Storage Humidity/ Temperature		-15°C to +60°C, 20% to 85% (no condensation or icing)
Insulation Resistance		20 MΩ (500 VDC)
Withstand Voltage		1000 VAC, 50/60 Hz, 1 min.: Between the case and current input circuit
Vibration Resistance		With mounting screws: 10 to 150 Hz, 0.7 mm double amplitude, acceleration: 50 m/s ² for each in X, Y and Z directions for 80 min. With mounting magnets: 10 to 55 Hz, 0.3 mm double amplitude, acceleration: 20 m/s ² for each in X, Y and Z directions for 50 min.
Shock Resistance		150 m/s ² in 6 directions (+/-X, +/-Y, and +/-Z directions), 3 times each *12
Material		ABS
Degree of Protection		IP30
Mounting		Magnet mounting, screw mounting, hook
Weight (in Package)		Approx. 500 g
Accessories		Instruction Sheet, Startup Guide, Mounting Magnets *13, Alarm Output Connector *14, DC Cable, and Ferrite Core

- *1. In high-speed logging mode, data is recorded in 83 ms at 60 Hz and in 100 ms at 50 Hz.
- *2. Momentary power and integrated power values are converted from the measured current. Correctly specify the number of used channels, application circuit, CT type, frequency, voltage, and power factor.
- *3. The display turns OFF after 10 seconds of no user operation and recovers by a key operation when SLEEP mode is specified LAN cannot be used when sleep mode is specified
- *4. Ethernet cannot be used during high-speed logging.
- *5. Automatically writes the data to the SD memory card when the internal memory reaches its capacity and continues recording until the SD card memory capacity reaches its limit. The unit stops operation if there is no SD memory card inserted when the internal memory reaches its capacity. (Recording can be resumed after inserting an SD memory card and outputting the data to it at a press of button.)
- *6. Continues the recording of the latest measured values until the internal memory reaches its capacity. (If the internal memory capacity exceeds the capacity, data is overwritten from the oldest one in the memory.)
- *7. Output when the integrated power upper limit specified in THR mode is exceeded. An alarm output is not available in SLEEP mode.
- *8. When using a third party SD card, it is recommended to use a reliable and durable industrial SD card (SD standard or SDHC standard (not compliant with SDXC standard), Class 4 or higher, flash memory type SLC or MLC type).
You must confirm the operation of the SD card yourself.
- *9. Nickel-metal hydride cells or alkaline dry cells can be used. Manganese battery cells cannot be used.
- *10. Battery life varies depending on the measurement environment, recording interval, operation mode as well as the battery type and performance.
- *11. Conditions: Two AAA nickel-metal hydride cells; Sleep mode; Continue mode; Recording interval: 1 s; SD memory card: HMC-SD292; Operation temperature: 23°C ; and Automatic range selection off
- *12. The installation place must be free from physical shock when using mounting magnets.
- *13. Already installed on the product by factory default.
- *14. OMRON's XW4B-02B1-H1 connector.

Logging unit (rating)

Item	Model	ZN-CTX21-A
Primary side rated current		Dedicated CT (5 A/50 A/100 A/200 A/400 A)
Primary side allowable input current		120% of rated current (Continue)
Accuracy		$\pm 2.0\%FS \pm 1$ digit (Ambient temperature 23°C, rated input, rated frequency) *
Measurement target frequency		50 Hz/60 Hz
Recording values		Current value, instantaneous power, integrated power consumption
Applicable circuit		Single phase two-wire, single phase three-wire, three-phase three-wire, three-phase four-wire

* An error of the dedicated CT is not included.

Dedicated CT unit (rating and performance)

Item	Model	ZN-CTM11-5A	ZN-CTM11-50A	ZN-CTM11-100A	ZN-CTM11-200A	ZN-CTM11-400A	ZN-CTM51-200A
Primary side rated current		5A	50A	100A	200A	400A	200A
Secondary winding		3,000 turns				6,000 turns	3,000 turns
Applicable frequency		10 Hz to 5 kHz					
Insulation resistance		Between output terminal and case: 50 MΩ minimum (500 VDC megohms)					
Withstand voltage		Between output terminal and case: 2,000 VAC 1 minute					
Protection element		7.5 V clamp element					
Allowable frequency of disconnection		100 times					5,000 times
Applicable wire diameter *		7.9 mm dia. maximum	9.5 mm dia. maximum	14.5 mm dia. maximum	24.0 mm dia. maximum	35.5 mm dia. maximum	23.0 mm dia. maximum
Operating temperature and humidity range		-20°C to +60°C 85% maximum (no condensdion or icing)					
Storage temperature and humidity range		-30°C to +65°C 85% maximum (no condensdion or icing)					
Voltage of circuit used		480 VAC maximum					

* If you use a flat cable, select the cable based on the dimensions of the CT.

Safety Precautions

 **WARNING**

This product is not designed or rated for ensuring safety of persons either directly or indirectly. Do not use it for such purposes.



The sensor head connector and the CT input circuit of the Portable Power Monitor ZN-CTX21 are not isolated. Extensive property damage, minor or moderate injury may be caused by the electrical flow through the product. Do not connect the dedicated connection cable to AC or DC power supplies.

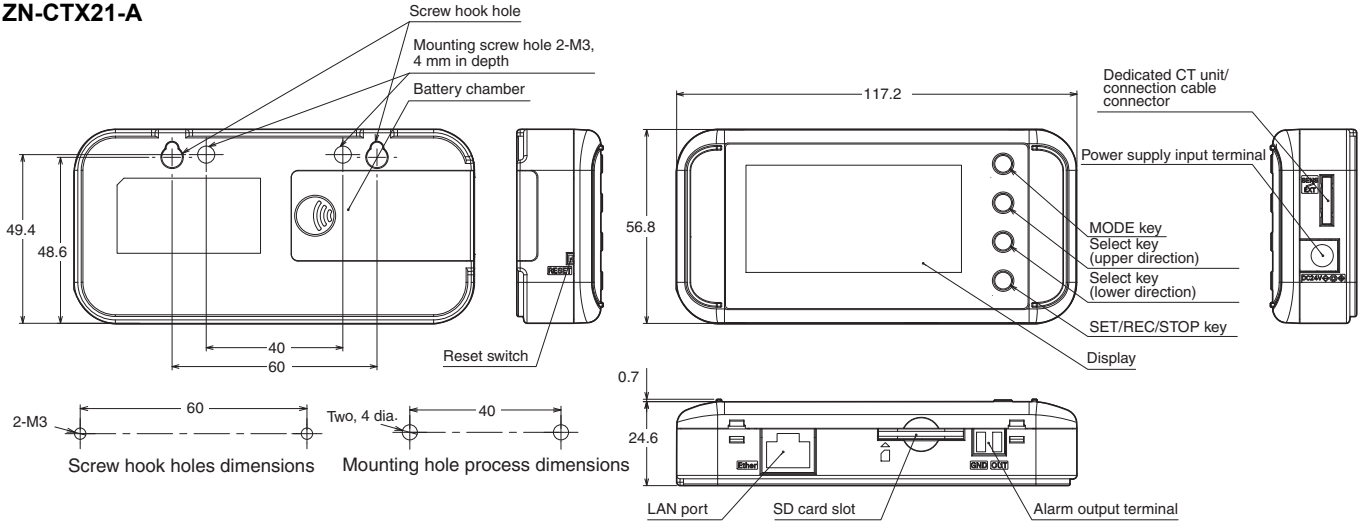


For technical information and product FAQs, refer to the “Technical Guide” on your OMRON website.

Dimensions

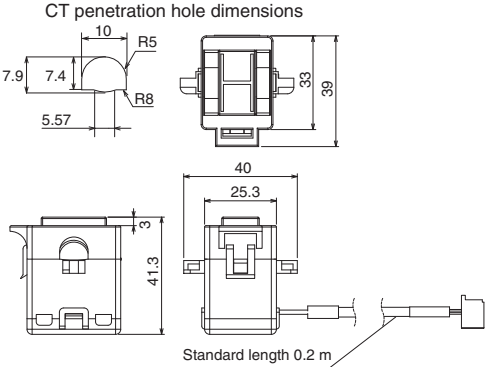
Logging unit

ZN-CTX21-A

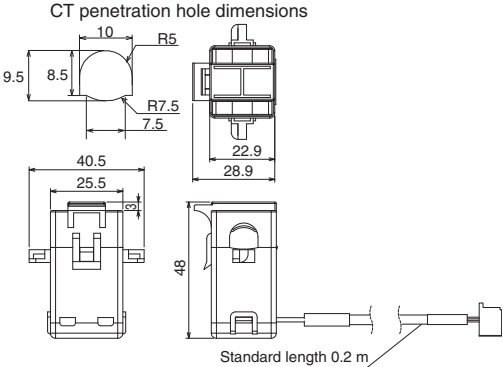


Dedicated CT unit (Branch type)

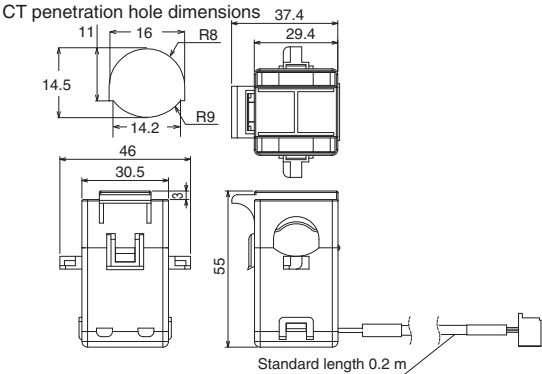
ZN-CTM11-5A



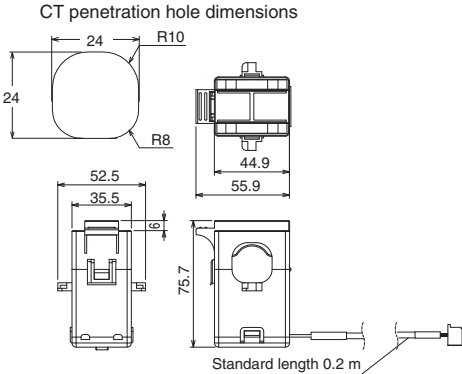
ZN-CTM11-50A



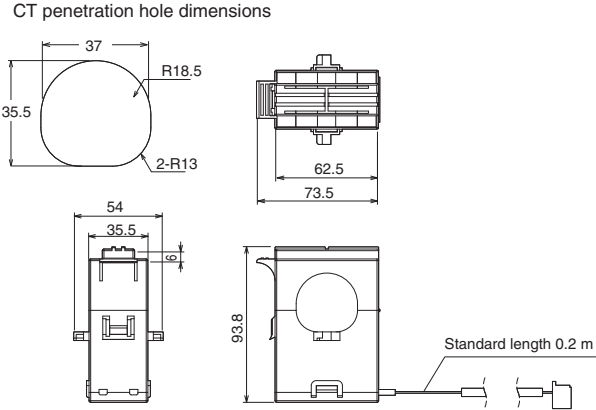
ZN-CTM11-100A



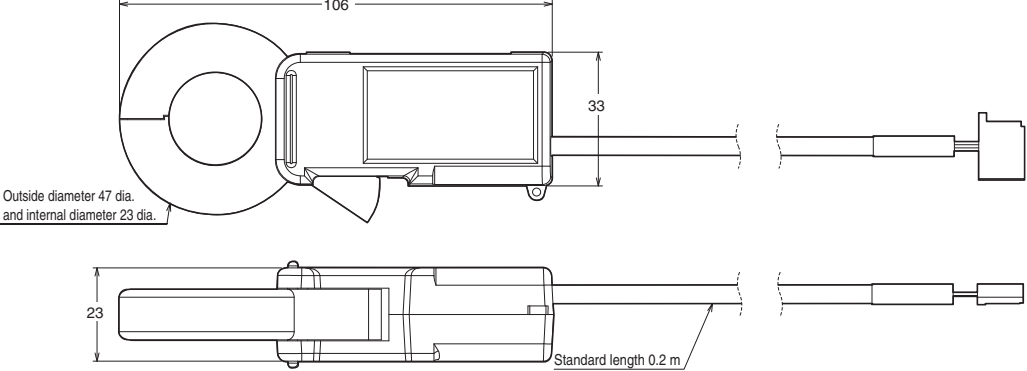
ZN-CTM11-200A



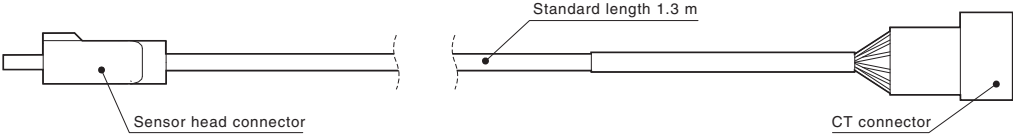
ZN-CTM11-400A



ZN-CTM51-200A



ZN-CTM11-C



Terms and Conditions Agreement

Read and understand this catalog.

Please read and understand this catalog before purchasing the products. Please consult your OMRON representative if you have any questions or comments.

Warranties.

(a) Exclusive Warranty. Omron's exclusive warranty is that the Products will be free from defects in materials and workmanship for a period of twelve months from the date of sale by Omron (or such other period expressed in writing by Omron). Omron disclaims all other warranties, express or implied.

(b) Limitations. OMRON MAKES NO WARRANTY OR REPRESENTATION, EXPRESS OR IMPLIED, ABOUT NON-INFRINGEMENT, MERCHANTABILITY OR FITNESS FOR A PARTICULAR PURPOSE OF THE PRODUCTS. BUYER ACKNOWLEDGES THAT IT ALONE HAS DETERMINED THAT THE PRODUCTS WILL SUITABLY MEET THE REQUIREMENTS OF THEIR INTENDED USE.

Omron further disclaims all warranties and responsibility of any type for claims or expenses based on infringement by the Products or otherwise of any intellectual property right. (c) Buyer Remedy. Omron's sole obligation hereunder shall be, at Omron's election, to (i) replace (in the form originally shipped with Buyer responsible for labor charges for removal or replacement thereof) the non-complying Product, (ii) repair the non-complying Product, or (iii) repay or credit Buyer an amount equal to the purchase price of the non-complying Product; provided that in no event shall Omron be responsible for warranty, repair, indemnity or any other claims or expenses regarding the Products unless Omron's analysis confirms that the Products were properly handled, stored, installed and maintained and not subject to contamination, abuse, misuse or inappropriate modification. Return of any Products by Buyer must be approved in writing by Omron before shipment. Omron Companies shall not be liable for the suitability or unsuitability or the results from the use of Products in combination with any electrical or electronic components, circuits, system assemblies or any other materials or substances or environments. Any advice, recommendations or information given orally or in writing, are not to be construed as an amendment or addition to the above warranty.

See <http://www.omron.com/global/> or contact your Omron representative for published information.

Limitation on Liability: Etc.

OMRON COMPANIES SHALL NOT BE LIABLE FOR SPECIAL, INDIRECT, INCIDENTAL, OR CONSEQUENTIAL DAMAGES, LOSS OF PROFITS OR PRODUCTION OR COMMERCIAL LOSS IN ANY WAY CONNECTED WITH THE PRODUCTS, WHETHER SUCH CLAIM IS BASED IN CONTRACT, WARRANTY, NEGLIGENCE OR STRICT LIABILITY.

Further, in no event shall liability of Omron Companies exceed the individual price of the Product on which liability is asserted.

Suitability of Use.

Omron Companies shall not be responsible for conformity with any standards, codes or regulations which apply to the combination of the Product in the Buyer's application or use of the Product. At Buyer's request, Omron will provide applicable third party certification documents identifying ratings and limitations of use which apply to the Product. This information by itself is not sufficient for a complete determination of the suitability of the Product in combination with the end product, machine, system, or other application or use. Buyer shall be solely responsible for determining appropriateness of the particular Product with respect to Buyer's application, product or system. Buyer shall take application responsibility in all cases.

NEVER USE THE PRODUCT FOR AN APPLICATION INVOLVING SERIOUS RISK TO LIFE OR PROPERTY OR IN LARGE QUANTITIES WITHOUT ENSURING THAT THE SYSTEM AS A WHOLE HAS BEEN DESIGNED TO ADDRESS THE RISKS, AND THAT THE OMRON PRODUCT(S) IS PROPERLY RATED AND INSTALLED FOR THE INTENDED USE WITHIN THE OVERALL EQUIPMENT OR SYSTEM.

Programmable Products.

Omron Companies shall not be responsible for the user's programming of a programmable Product, or any consequence thereof.

Performance Data.

Data presented in Omron Company websites, catalogs and other materials is provided as a guide for the user in determining suitability and does not constitute a warranty. It may represent the result of Omron's test conditions, and the user must correlate it to actual application requirements. Actual performance is subject to the Omron's Warranty and Limitations of Liability.

Change in Specifications.

Product specifications and accessories may be changed at any time based on improvements and other reasons. It is our practice to change part numbers when published ratings or features are changed, or when significant construction changes are made. However, some specifications of the Product may be changed without any notice. When in doubt, special part numbers may be assigned to fix or establish key specifications for your application. Please consult with your Omron's representative at any time to confirm actual specifications of purchased Product.

Errors and Omissions.

Information presented by Omron Companies has been checked and is believed to be accurate; however, no responsibility is assumed for clerical, typographical or proofreading errors or omissions.